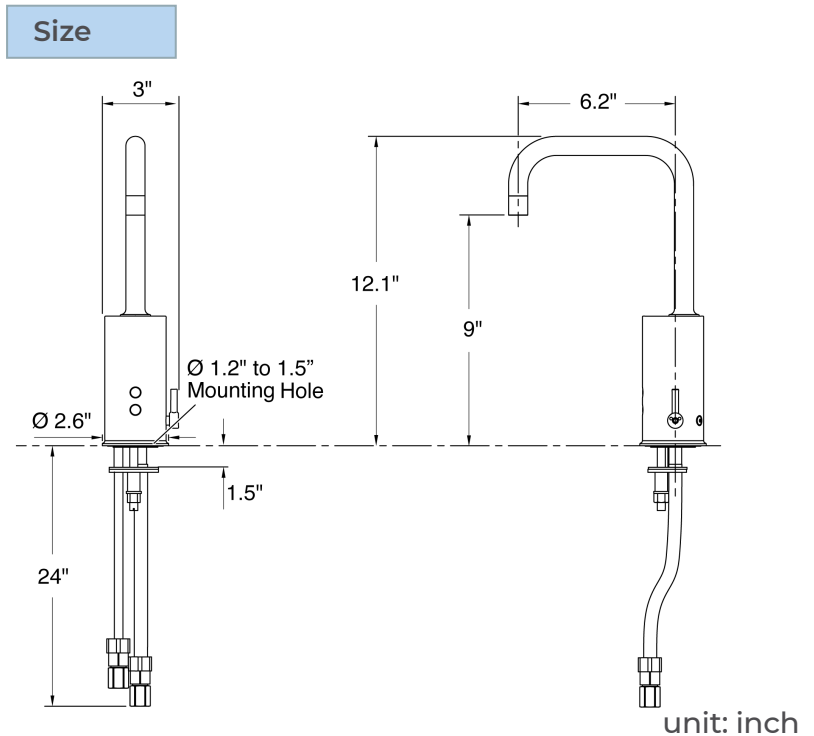


COMMERCIAL BRUSHED NICKEL TEMPERATURE CONTROL AUTOMATIC MOTION FAUCET SPECIFICATIONS



Specs

Features

- 0.5 gpm (1.9 LPM) maximum flow rate.
- Factory set 30 second max. continual run cycle.
- Vandal-resistant aerator.
- 24" (610 mm) flexible supply hoses for easy installation.
- 6-3/16" (157 mm) spout reach.
- Material - Brass construction.

Installation

- Single-hole mounting.
- Above-counter battery and valve for easy installation and maintenance.

Notes

Install this product according to the installatong uide.

A 1-1/4" (32 mm) minimum to 1-1/2" (38 mm)maximum diameter mounting hole is required.

The minimum distance between the back of the faucet spout and the wall must be 1-3/4" (44 mm). This will allow proper clearance for set screw access.

The maximum distance between the bathroom sink basin edge to the base of the faucet spout must be 1-3/4" (44 mm).

The maximum height of the lip basin should be 3/4" (19 mm).

Product includes rosebud spray aerator.

All dimensions and specifications are nominal and may vary. Use actual products for accuracy in critical situations.